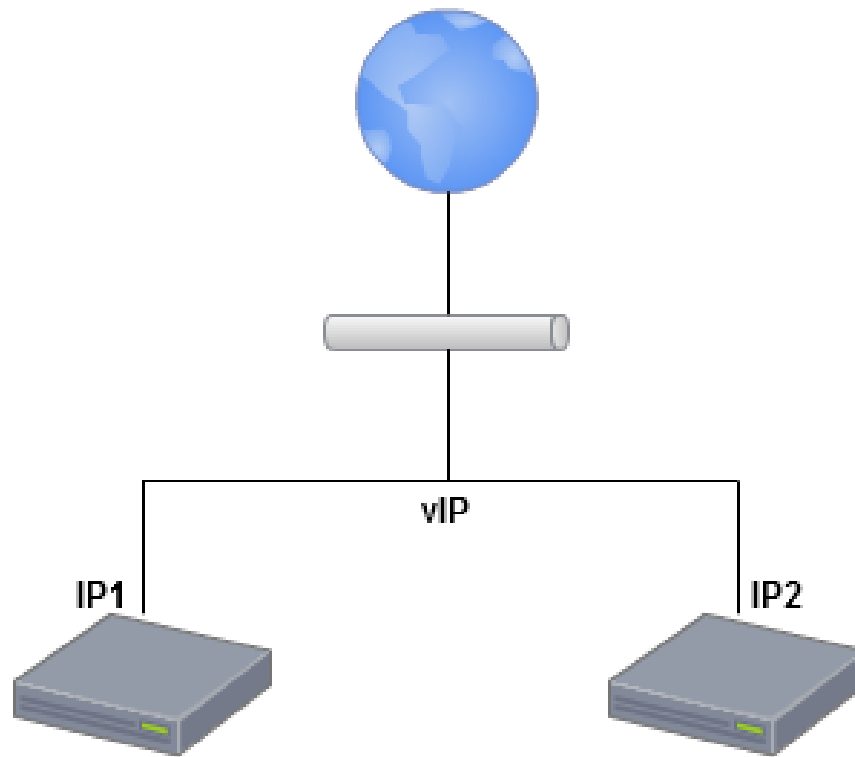


Klaster dla aplikacji webowych

Warianty

- Prosty fail-over
- Load-balancing
- FO + LB
- Replikacja MySQL
- Synchronizacja plików

Proxy Fail-over

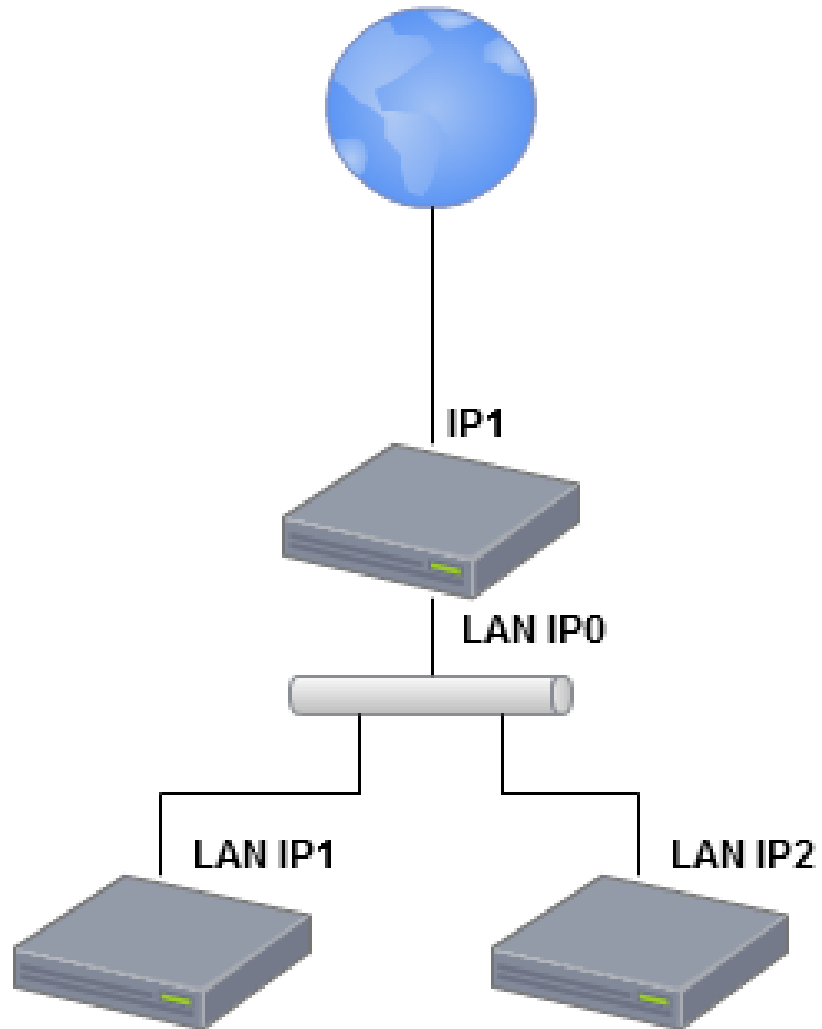


Keepalived VRRP

Virtual Router Redundancy Protocol

```
vrrp_instance VI_1 {  
    interface eth0  
    state MASTER  
    virtual_router_id 51  
    priority 101  
    virtual_ipaddress {  
        <VIP>  
    }  
    authentication {  
        auth_type AH  
        auth_pass <password>  
    }  
}
```

Load-balancing



Keepalived IPVS

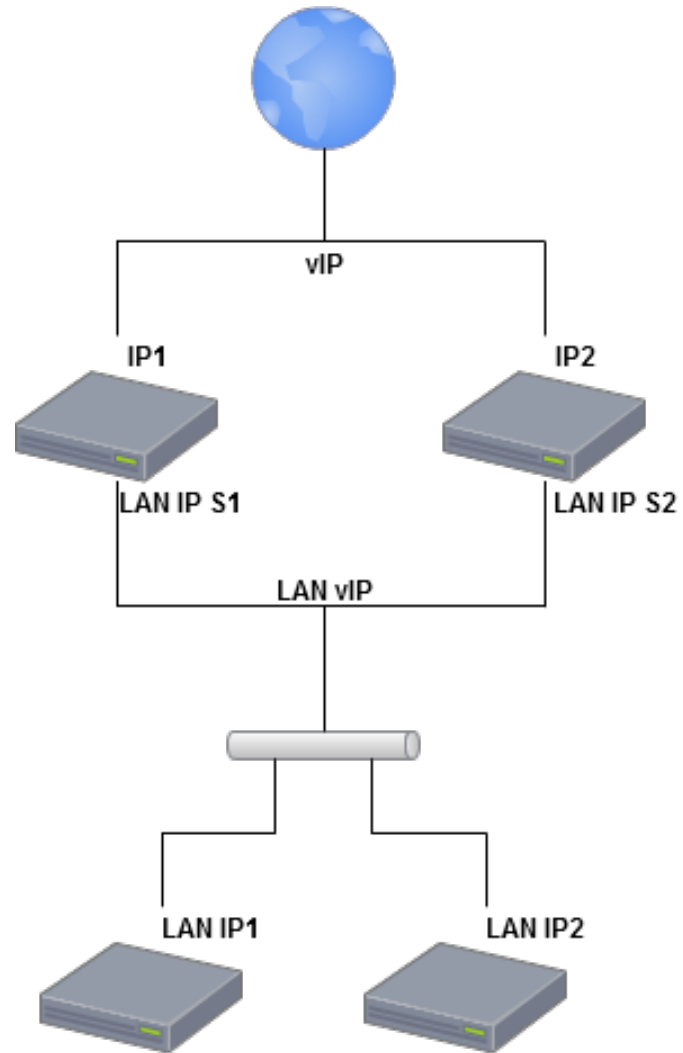
```
virtual_server <VIP> 80 {
    delay_loop 5
    lb_algo wrr
    lb_kind NAT
    persistence_timeout 50
    protocol TCP

    sorry_server LANIP 8000

    real_server LANIP 80 {
        weight 2
        TCP_CHECK {
            connect_timeout 5
        }
        HTTP_GET {
            url {
                path /lbstate
                digest 9f170475f8fbb9d178c358323fcbf49f
            }
            connect_timeout 3
            connect_port 3000
            nb_get_retry 3
            delay_before_retry 2
        }
    }
}

real_server LANIP 80 {
    weight 2
    TCP_CHECK {
        connect_timeout 3
    }
    HTTP_GET {
        url {
            path /lbstate
            digest 9f170475f8fbb9d178c358323fcbf49f
        }
        connect_timeout 3
        connect_port 3000
        nb_get_retry 3
        delay_before_retry 2
    }
}
```

FO + LB



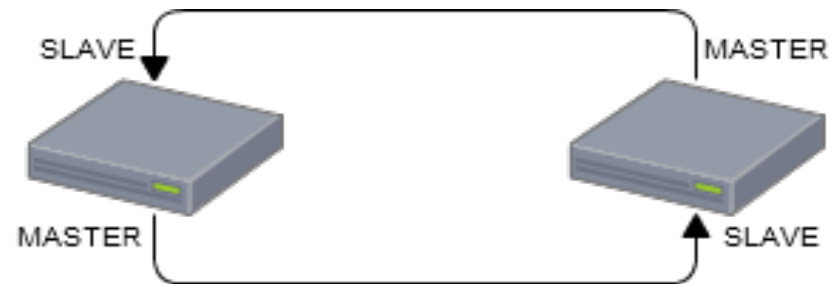
Keepalived VRRP

```
vrrp_sync_group VG1 {
    group {
        VI_1
        VI_2
    }
}

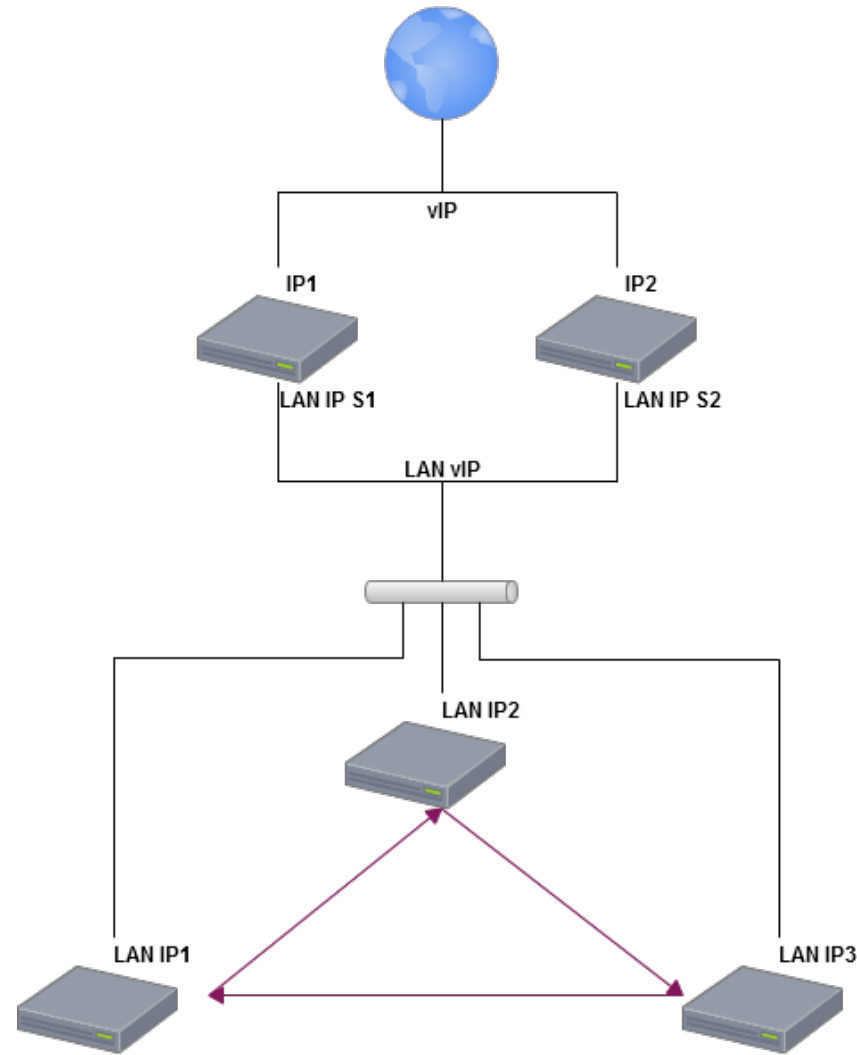
vrrp_instance VI_1 {
    interface eth0
    state MASTER
    virtual_router_id 51
    priority 101
    virtual_ipaddress {
        <vip>
    }
    authentication {
        auth_type AH
        auth_pass <password>
    }
}
```

```
vrrp_instance VI_2 {
    interface bond0
    state MASTER
    virtual_router_id 52
    priority 101
    virtual_ipaddress {
        <LAN vip>
    }
    authentication {
        auth_type AH
        auth_pass <password>
    }
}
```

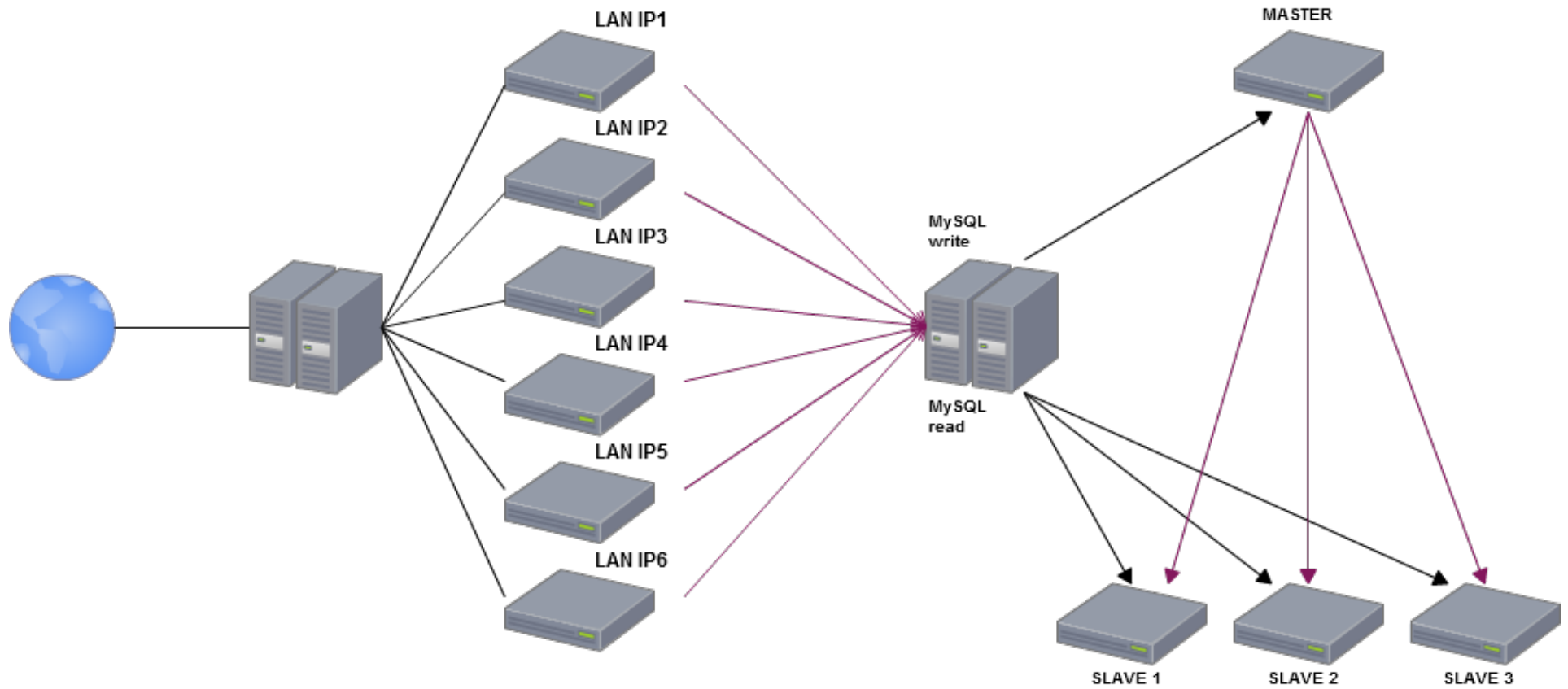

MySQL Dual-MASTER



A może by tak z replikacją na 3 ?



W takim razie...



Aplikacje

- Problem sesji
- Baza danych RO + RW
- Samoregeneracja cache (niby oczywiste a jednak...)
- Kwiatki z file-cache

Różne takie...

- Storage zewnętrzny
-